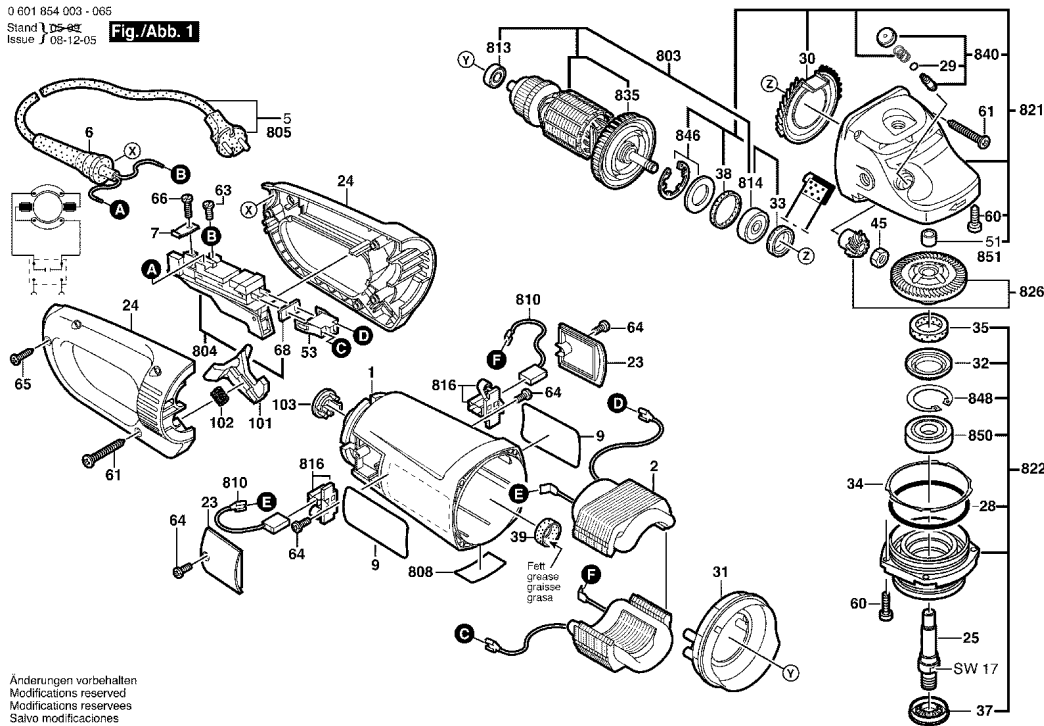




0 601 854 003 - 065
Stand 1 DS-44
Issue J 08-12-05 **Fig./Abb. 1**



Änderungen vorbehalten
Modifications reserved
Modificaciones reservées
Salvo modificaciones

POS No.	Qty	Part No.	Description	List Price (Rs.)
1	1	1605108190	Motor Housing BLUE	473
2	1	1604220381	Field 220-240V	1418
5	1	1604460128	Power supply cord EI	
6	1	1600703023	Grommet Ø10,5-Ø11	56
7	1	1601302018	Fastening Clamp	36
9	2	1601118C87	Manufacturer's namep	
23	2	1605500206	Sealing cap BLUE	86
24	1	1605132130	Handle BLUE	324
25	1	1603523113	Grinding Spindle M14	304
28	1	1600210033	O-Ring 79,0x1,78 MM	36
29	1	1600210045	O-Ring 8,0x1,0 MM	35
30	1	1600591029	Air Distributor	51
31	1	1600591028	Air-Deflector Ring	57
32	1	1600290019	Retaining snap ring	34
33	1	1600290013	Rotary shaft lip seal I	54
34	1	1600190020	Shim 0,15 MM THICK	36
34	1	1600190021	Shim 0,3 MM THICK	36
34	1	1600190022	Shim 0,1 MM THICK	38
34	1	1600190037	Shim 0,2 MM THICK	22
34	1	1600190038	Shim 0,25 MM THICK	22
34	1	1600190039	Shim 0,35 MM THICK	22
34	1	1600190040	Shim 0,4 MM THICK	22
35	1	1600205034	Felt Washer	36
37	1	1600290036	Seal ring BLACK	53
38	1	1600206020	Rubber Ring 7 MM W	37
39	1	1600206030	Rubber Ring	35
45	1	1603300019	Hex Nut M10, SW14	35
51	1	1600200031	Plain bearing Ø14 MM	44
53	1	1605190068	Socket Housing	35
60	4	1603435023	Thread-forming tap. S	35

POS No.	Qty	Part No.	Description	List Price (Rs.)
61	6	2912401038	Tapping Screw DIN	21
63	2	1603410014	Pan head screw M4x	35
64	4	1603435042	Self-Cutting Screw St	35
65	2	2912401020	Tapping Screw DIN	19
66	1	2910211019	Tapping Screw DIN	19
68	1	1601006011	Sealing Plate	35
101	1	1601990004	Catch Slide	50
102	1	1604616022	Compression Spring	30
103	1	1602388035	Cable routing	30
651	1	1605510217	Protective Cover Ø 2	
803	1	1604011932	Armature 220-240V	2439
804	1	1607000967	Switch BLACK	763
808	1	1601106032	Nameplate 26x52 MM	
810	1	1607014171	Carbon-Brush Set	225
813	1	1600905011	Deep-Groove Ball Bea	128
814	1	1600905028	Deep-Groove Ball Bea	271
816	2	1604336048	Brush Holder	131
821	1	1607000C03	Gear Housing	1541
822	1	1607000C05	Bearing Flange Ø230	965
826	1	1619P02776	Bevel Gear Set	1036
835	1	1606610142	Fan	60
840	1	1607000354	Push-Button	165
846	1	1607000342	Retaining Washer	43
848	1	1600119010	Spring retaining ring	36
850	1	1600905026	Deep-Groove Ball Bea	194
851	1	2600910001	Needle bearing Ø14 I	95
890	1	1600210039	O-Ring 20,35x1,78 M	20
891	1	1602025051	Auxiliary Handle M14	736
891/1	1	1602025022	Auxiliary Handle M14	361
892	1	1607950061	Pin-Type Face-Wrenc	95